

Arc 145



Spare parts list

Edition 20120419



Valid for serial no. 011070711701

Ordering no. Product

0700 300 884 Welding power source Buddy™ Arc 145

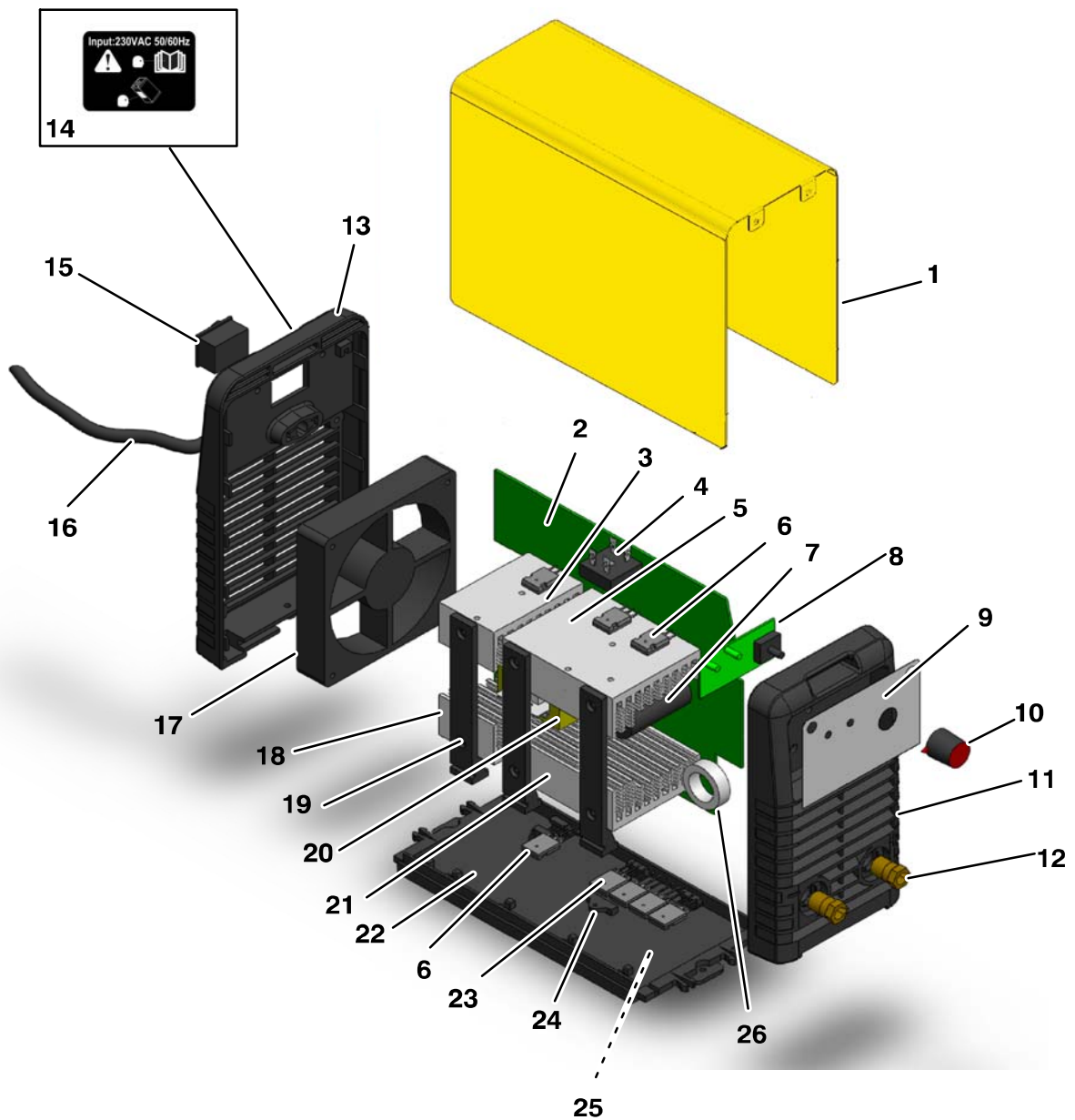
Spare parts are to be ordered through the nearest ESAB agency. Kindly indicate type of unit, serial number, denominations and ordering numbers according to the spare parts list.

Maintenance and repair work should be performed by an experienced person, and electrical work only by a trained electrician. Use only recommended spare parts.

Rights reserved to alter specifications without notice.

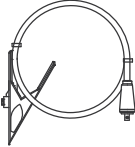
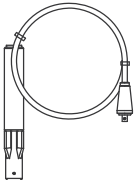
Arc 145

Item	Qty	Ordering no.	Denomination	Notes
1	1	0700 300 001	Cover	
2	1	0700 300 090	Main PC- board	
3	1	-	Heat sink 1	Not available
4	1	0700 300 004	Rectifier bridge	
5	1	-	Heat sink 2	Not available
6	4	0700 300 006	Transistor (IGBT)	
7	1	0700 300 007	Capacitor	560µF 400V 85° Celsius
8	1	0700 300 008	Front panel PC-board complete	Included LED's and potentiometer
9	1	0700 300 009	Front panel sticker	
10	1	0700 300 010	Adjustment knob	
11	1	0700 300 011	Plastic front panel	
12	2	0700 300 012	Socket (OKC machine)	
13	1	0700 300 013	Plastic rear panel	
14	1	0700 300 099	Warning label: Input Power	
15	1	0700 300 014	On/Off switch	
16	1	0700 300 015	Power cable	3 G 1,5
17	1	0700 300 016	Cooling fan	
18	1	-	Heat sink 3	Not available
19	3	0700 300 018	Heat sink holder	
20	1	-	Transformer	Part of main PC-board assy
21	1	-	Heat sink 4	Not available
22	1	0700 300 021	Plastic base panel	
23	4	0700 300 022	Diode	
24	1	0700 300 023	Thermal relay	
25	1	0700 300 132	Rating plate	
26	1	0700 300 024	Inductor	



Arc 145

Accessories

 A technical drawing of a return cable. It consists of a circular loop of cable with a clamp at the top and a connector at the bottom.	Return cable with clamp 3 m 16 mm² 0700 300 863
 A technical drawing of a welding cable with an electrode holder. The cable is coiled, with a holder attached to one end and a connector at the other.	Welding cable with electrode holder 0700 300 862

